



ON Semiconductor®

<http://onsemi.com>

# LV0223CV

## Monolithic Linear IC Front Monitor OE-IC for Optical Pickups

### Overview

The LV0223CV is a front monitor optoelectronic IC for optical pickups that has a built-in photo diode compatible with three waveforms. LV0223CV is small size and type CSP packages.

### Functions

- PIN photodiode compatible with three wavelengths incorporated.
- Gain adjustment (-6dB to +6dB in 256 steps) through serial communication.
- Amplifier to amplify differential output.

### Specifications

#### Maximum Ratings at $T_a = 25^\circ\text{C}$

Parameter	Symbol	Conditions	Ratings	Unit
Maximum supply voltage	$V_{CC}$		6	V
Allowable power dissipation	$P_d$	Glass epoxy both-side substrate 55mm × 45mm × 1.6mm Copper foil area (head: about 90% Tail: about 90%), $T_a=75^\circ\text{C}$	143	mW
Operating temperature	$T_{opr}$		-20 to +75	$^\circ\text{C}$
Storage temperature	$T_{stg}$		-40 to +100	$^\circ\text{C}$

Stresses exceeding Maximum Ratings may damage the device. Maximum Ratings are stress ratings only. Functional operation above the Recommended Operating Conditions is not implied. Extended exposure to stresses above the Recommended Operating Conditions may affect device reliability.

#### Recommended Operating Conditions at $T_a = 25^\circ\text{C}$

Parameter	Symbol	Conditions	Ratings			Unit
			min	typ	max	
Operating supply voltage	$V_{CC}$		4.5	5	5.5	V
Output load capacitance	$C_O$		12	20	33	pF
Output load resistance	$Z_O$		3			k $\Omega$

# LV0223CV

**Electrical Characteristics** at Ta = 25°C, VCC = 5V, RL=6kΩ, CL=20pF

Parameter	Symbol	Conditions	Ratings			Unit
			min	typ	max	
Current dissipation	ICC		13.3	17	22.1	mA
Sleep current	Islp				0.6	mA
Output voltage when shielded	VC	At shielding	1.85	2.0	2.15	V
Output offset voltage	Vofs	At shielding, voltage between VOP-VON	-30	0	30	mV
Temperature dependence of offset voltage *1	Vofs	Ta=-10 to +75°C	-60	0	60	μV/°C
Optical output voltage *1 Voltage between VOP-VON	VLC	Low Gain, λ=780nm, G=0dB	0.21	0.262	0.31	mV/μW
	VLD	Low Gain, λ=650nm, G=0dB	0.22	0.275	0.33	mV/μW
	VLB	Low Gain, λ=405nm, G=0dB	0.14	0.172	0.21	mV/μW
	VM1C	Middle1 Gain, λ=780nm, G=0dB	0.66	0.83	0.99	mV/μW
	VM1D	Middle1 Gain, λ=650nm, G=0dB	0.70	0.87	1.05	mV/μW
	VM1B	Middle1 Gain, λ=405nm, G=0dB	0.43	0.54	0.65	mV/μW
	VM2C	Middle2 Gain, λ=780nm, G=0dB	1.97	2.46	2.95	mV/μW
	VM2D	Middle2 Gain, λ=650nm, G=0dB	2.07	2.58	3.10	mV/μW
	VM2B	Middle2 Gain, λ=405nm, G=0dB	1.29	1.62	1.94	mV/μW
	VH1C	High1 Gain, λ=780nm, G=0dB	3.35	4.19	5.02	mV/μW
	VH1D	High1 Gain, λ=650nm, G=0dB	3.52	4.40	5.28	mV/μW
	VH1B	High1 Gain, λ=405nm, G=0dB	2.20	2.75	3.30	mV/μW
	VH2C	High2 Gain, λ=780nm, G=0dB	5.72	7.15	8.58	mV/μW
	VH2D	High2 Gain, λ=650nm, G=0dB	6.02	7.52	9.02	mV/μW
VH2B	High2 Gain, λ=405nm, G=0dB	3.76	4.70	5.64	mV/μW	
Light output voltage adjustment range *1	G	G=0dB reference, absolute value of adjustment width	5.5	6.0	6.5	dB
D range *1	VoD	Voltage between VOP-VON	1700	2200		mV
Frequency characteristics *1, *2	FcC	-3dB(1MHz reference), λ=780nm Light input = 40μW(DC) + 20μW(AC)	60	80		MHz
	FcD1	-3dB(1MHz reference), λ=650nm Light input = 40μW(DC) + 20μW(AC) Low/Middle1/2 Gain	60	85		MHz
	FcD2	-3dB(1MHz reference), λ=650nm Light input = 40μW(DC) + 20μW(AC) High1/2 Gain	60	80		MHz
	FcB1	-3dB(1MHz reference), λ=405nm Light input = 40μW(DC) + 20μW(AC) Low/Middle1/2 Gain	60	85		MHz
	FcB2	-3dB(1MHz reference), λ=405nm Light input = 40μW(DC) + 20μW(AC) High1/2 Gain	60	80		MHz
Settling time *1	Tset			10	15	ns
Response time *1	Tr, Tf	Vo=0.9Vp-p, output level 10 to 90% fc=10MHz, duty=50%		4	10	ns
Overshoot *1	Ovst	Vo=0.9Vp-p, G=0dB			15	%
Undershoot *1	Unst	Vo=0.9Vp-p, G=0dB			15	%
Linearity *1	Lin	At output voltage 0.5V and 1.0V (Between VOP-VON)	-1	0	1	%
Light-output voltage temperature dependence Voltage between VOP-VON *1, *3	TC	λ=780nm, 25°C reference	7	10	13	%
	TD	λ=650nm, 25°C reference	-1	2	5	%
	TB	λ=405nm, 25°C reference	-1	2	5	%

Item with \*1 mark indicate the design reference value.

Item with \*2 mark indicate the frequency characteristics when VOP and VON are applied individually.

The frequency characteristics are for the output voltage adjustment range is -6 to +6dB

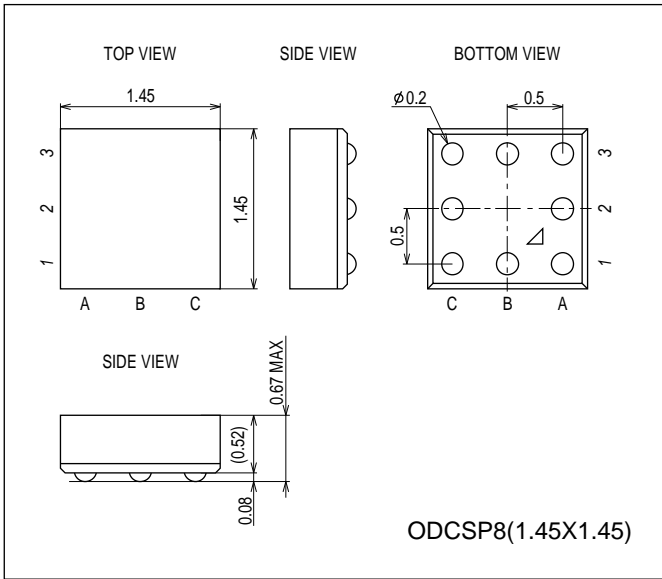
Item with \*3 mark indicates the temperature dependence for the case of High2 / High1 / Middle2 / Middle1 / Low gain and for the case when the temperature is 25 to 75°C for the output voltage adjustment range of -6 to +6dB

[Expression of output voltage]

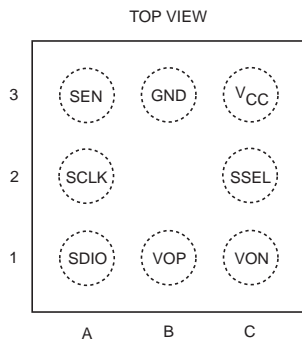
$$V_N = (\text{sensitivity} / 2) \times 5400 / (5400 - 16 \times \text{GCStep}) \times \text{light intensity} (\mu\text{W})$$

### Package Dimensions

unit : mm (typ)  
3407

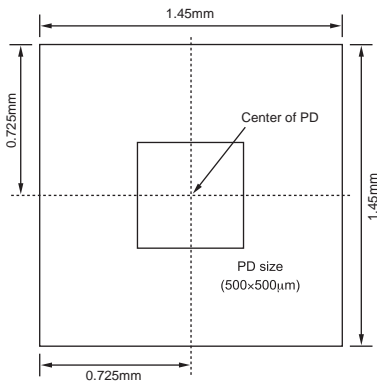


### Pin Assignment



Pin No.	Pin name	Function
1A	SDIO	Serial communication Data pin
1B	VOP	Positive side output pin
1C	VON	Negative side output pin
2A	SCLK	Serial communication Clock pin
2C	SSEL	Register selection pin
		SSEL = Low : Address 00 to 0Fh used
		SSEL = High : Address 10 to 1Fh used
		SSEL = Open : Address 70 to 7Fh used
3A	SEN	Serial communication Enable pin
3B	GND	GND pin
3C	VCC	Power supply voltage pin

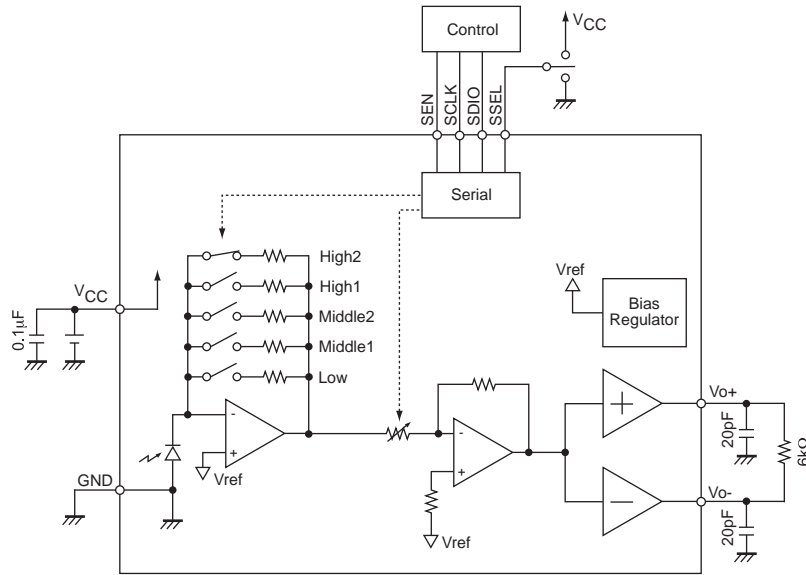
### PD assignment



\*PD size for reference to be used for design

# LV0223CV

## Block diagram and Test circuit diagram



### Resister table

Enable selection of the register group from the SSEL pin.

**SSEL = Low**

	Address	7	6	5	4	3	2	1	0
Name	00h	<b>POWER</b>		<b>IV GAIN SEL</b>		<b>GAIN SEL</b>		<b>IV GAIN2</b>	
Default		00		00		00		1 0	
Value		11: Power on 00/01/10: Sleep		*4		00/01: BD 10: DVD 11: CD		*4	
Name	01h	<b>BD GAIN</b>							
Default		1	1	1	1	1	1	1	1
Value		00000000 to 11111111							
Name	02h	<b>DVD GAIN</b>							
Default		1	1	1	1	1	1	1	1
Value		00000000 to 11111111							
Name	03h	<b>CD GAIN</b>							
Default		1	1	1	1	1	1	1	1
Value		00000000 to 11111111							
Name	0Eh	<b>TEST1 (*1)</b>							
Name	0Fh	<b>TEST2 (*1)</b>							

**SSEL = High**

	Address	7	6	5	4	3	2	1	0
Name	10h	<b>POWER</b>		<b>IV GAIN SEL</b>		<b>GAIN SEL</b>		<b>IV GAIN2</b>	
Default		00		00		00		1 0	
Value		11: Power on 00/01/10: Sleep		*4		00/01: BD 10: DVD 11: CD		*4	
Name	11h	<b>BD GAIN</b>							
Default		1	1	1	1	1	1	1	1
Value		00000000 to 11111111							
Name	12h	<b>DVD GAIN</b>							
Default		1	1	1	1	1	1	1	1
Value		00000000 to 11111111							
Name	13h	<b>CD GAIN</b>							
Default		1	1	1	1	1	1	1	1
Value		00000000 to 11111111							
Name	1Eh	<b>TEST1 (*1)</b>							
Name	1Fh	<b>TEST2 (*1)</b>							

Continued on next page.

# LV0223CV

Continued from preceding page.

## SSEL = Open

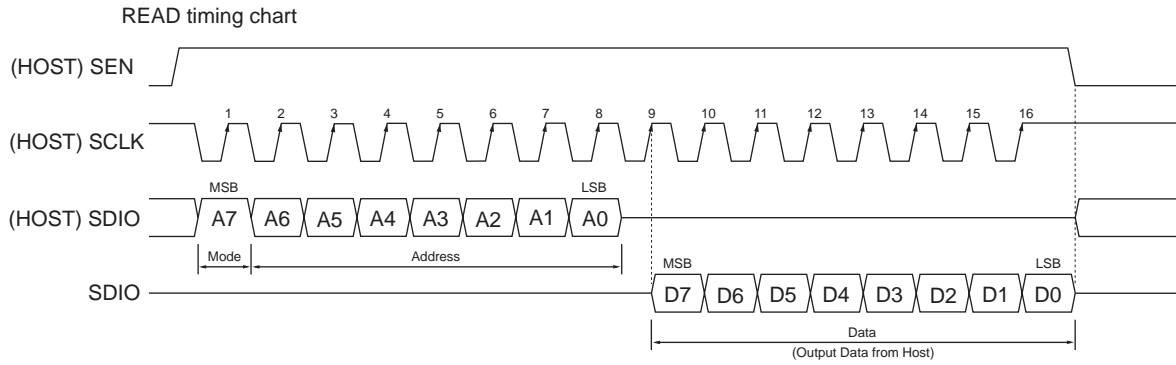
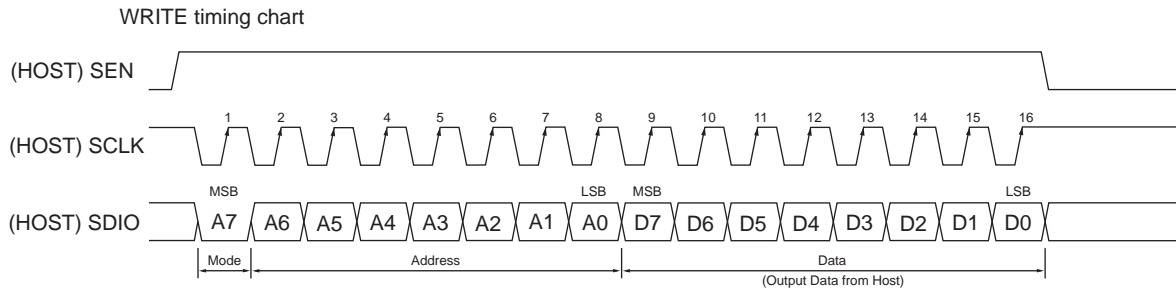
	Address	7	6	5	4	3	2	1	0
Name	70h	<b>POWER</b>		<b>IV GAIN SEL</b>		<b>GAIN SEL</b>		<b>IV GAIN2</b>	
Default		00		00		00		1	0
Value		11: Power on 00/01/10: Sleep		*4		00/01: BD 10: DVD 11: CD		*4	
Name	71h	<b>BD GAIN</b>							
Default		1	1	1	1	1	1	1	1
Value		00000000 to 11111111							
Name	72h	<b>DVD GAIN</b>							
Default		1	1	1	1	1	1	1	1
Value		00000000 to 11111111							
Name	73h	<b>CD GAIN</b>							
Default		1	1	1	1	1	1	1	1
Value		00000000 to 11111111							
Name	7Eh	<b>TEST1 (*1)</b>							
Name	7Fh	<b>TEST2 (*1)</b>							

- \*1 TEST1 and TEST2 are either the time when power is applied or "00000000" is set. Do not attempt to change "00000000" during operation. "00000000" is returned when reading is made.
- \*2 No problem in terms of operation occurs even when writing is made to the address 04h to 0Dh and 14h to 1Dh and 74h to 7Dh. "00000000" is returned when this address is read.
- \*3 When I performed address reading except the register group set by an SSEL terminal, I keep Hi-Z without paying a value.
- \*4 Please set the gain setting of the I/V amplifier referring to the table below.

### I/V amplifier gain setting table

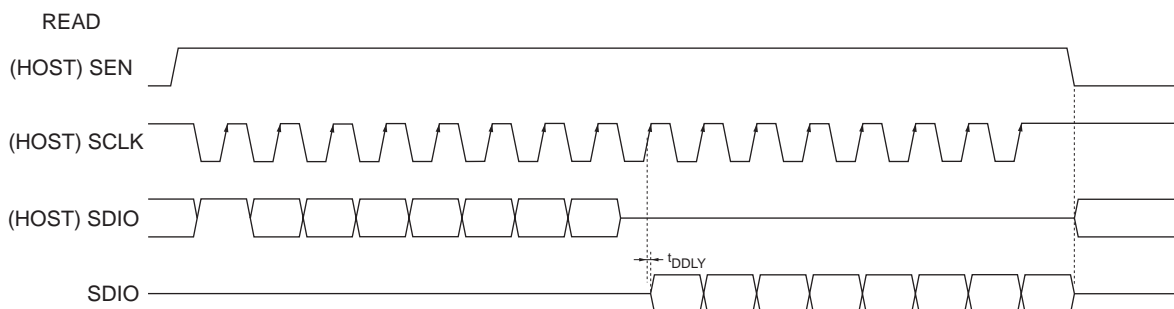
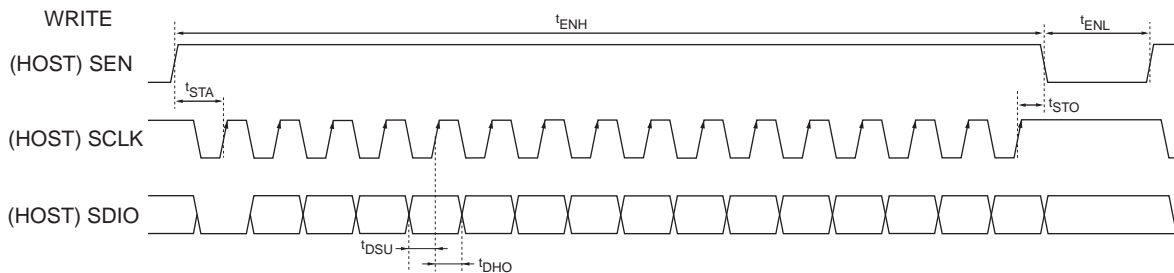
00h/10h/70h	5	4	1
Name	<b>IV GAIN1 SET</b>		<b>IV GAIN2</b>
Default	00		1
IV GAIN	High2	00/01	1
	High1	10/11	1
	Middle2	00/01	0
	Middle1	10	0
	Low	11	0

## Serial protocol



SDIO pin load / CL=20pF (The table below shows the design reference value.)

Parameter	Symbol	Min.	Typ.	Max.	Unit
SCL clock frequency Write	$f_{SCL}$	0		10	MHz
SCL clock frequency Read	$f_{SCL}$	0		4	MHz
SDIO data setup time	$t_{DSU}$	50			ns
SDIO data hold time	$t_{DHO}$	50			ns
SDIO output delay	$t_{DDLY}$		10	80	ns
SEN "H" period	$t_{ENH}$	1.6			$\mu$ s
SEN "L" period	$t_{ENL}$	200			ns
SCL rise time after SEN rise	$t_{STA}$	60			ns
SEN fall time after final SCL rise	$t_{STO}$	100			ns
Serial input "H" voltage	$V_{IH}$	2.4		3.7	V
Serial input "L" voltage	$V_{IL}$			0.6	V
SDIO output "H" voltage	$V_{OH}$	2.5	2.9	3.3	V
SDIO output "L" voltage	$V_{OL}$	0	0.3	0.8	V



# LV0223CV

Pin	Type	Equivalent circuit diagram
SDIO	Input Output	
VOP VON	Output	
SCLK SEN	Input	
SSEL	Input	

ON Semiconductor and the ON logo are registered trademarks of Semiconductor Components Industries, LLC (SCILLC). SCILLC owns the rights to a number of patents, trademarks, copyrights, trade secrets, and other intellectual property. A listing of SCILLC's product/patent coverage may be accessed at [www.onsemi.com/site/pdf/Patent-Marking.pdf](http://www.onsemi.com/site/pdf/Patent-Marking.pdf). SCILLC reserves the right to make changes without further notice to any products herein. SCILLC makes no warranty, representation or guarantee regarding the suitability of its products for any particular purpose, nor does SCILLC assume any liability arising out of the application or use of any product or circuit, and specifically disclaims any and all liability, including without limitation special, consequential or incidental damages. "Typical" parameters which may be provided in SCILLC data sheets and/or specifications can and do vary in different applications and actual performance may vary over time. All operating parameters, including "Typicals" must be validated for each customer application by customer's technical experts. SCILLC does not convey any license under its patent rights nor the rights of others. SCILLC products are not designed, intended, or authorized for use as components in systems intended for surgical implant into the body, or other applications intended to support or sustain life, or for any other application in which the failure of the SCILLC product could create a situation where personal injury or death may occur. Should Buyer purchase or use SCILLC products for any such unintended or unauthorized application, Buyer shall indemnify and hold SCILLC and its officers, employees, subsidiaries, affiliates, and distributors harmless against all claims, costs, damages, and expenses, and reasonable attorney fees arising out of, directly or indirectly, any claim of personal injury or death associated with such unintended or unauthorized use, even if such claim alleges that SCILLC was negligent regarding the design or manufacture of the part. SCILLC is an Equal Opportunity/Affirmative Action Employer. This literature is subject to all applicable copyright laws and is not for resale in any manner.